

Revolution 54 Plus Product Summary



Optima
ClearThinking

Revolution 54 Plus Product Summary



Product facts

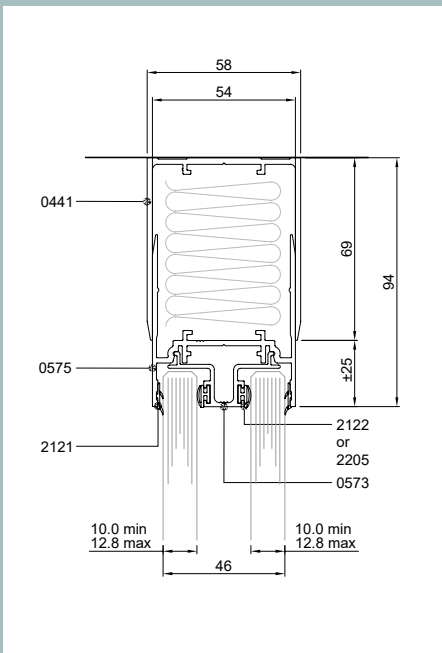
- Slimline mullion-free single and double glazed system
- Dry jointed and fully demountable
- Aluminium framework
- Single and double glazed options available which integrate with Optima 117 Plus single glazing
- Numerous door options
- Manufactured at Optima's UK factory in Bath

Acoustics

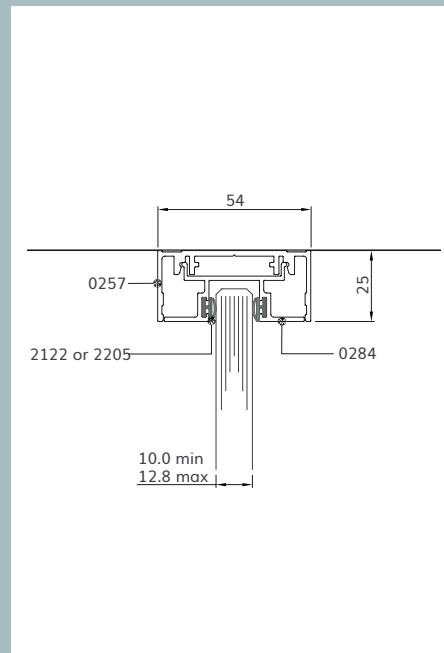
- Maximum tested acoustic rating of Rw46dB using 2 layers of 12.8mm acoustic laminated glass in multi-module screen

Deflection

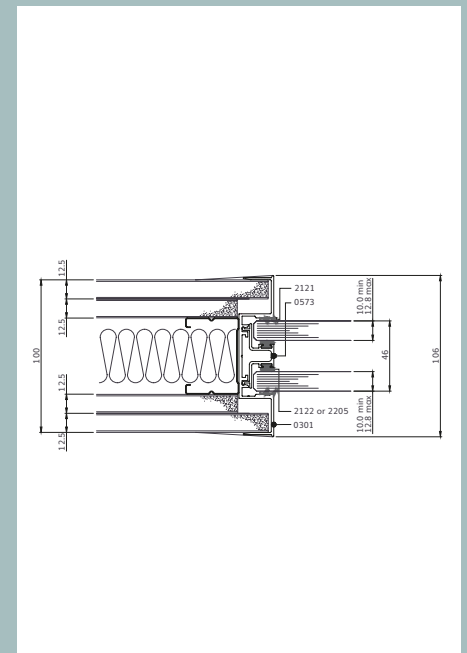
- Can accommodate up to $\pm 40\text{mm}$ deflection



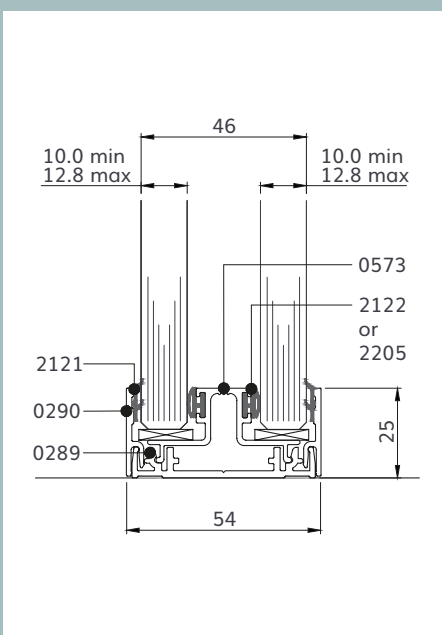
Double glazed head track with outer upper channel ± 25 deflection



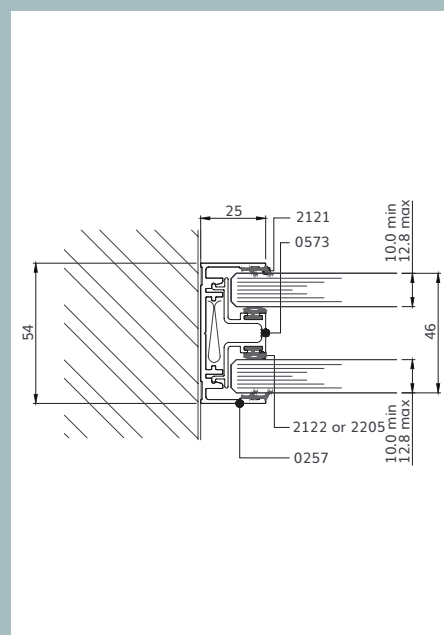
Single glazed head track with 25mm head channel



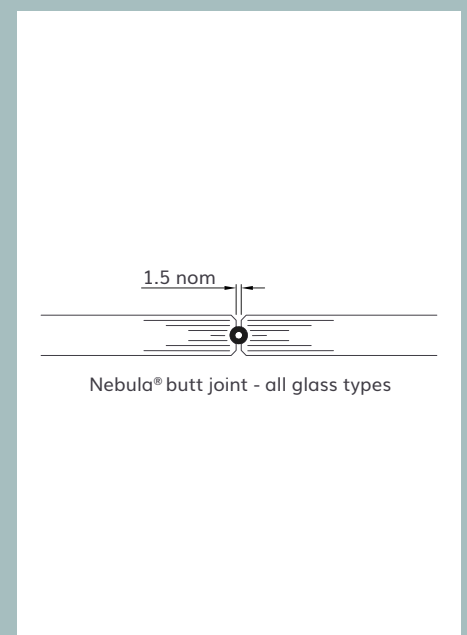
Tapeable glazing bar double glazed, double boarded



Double glazed floor track 25mm flush clip



Double glazed 25mm wall abutment



Glass to glass Nebula® joint dry joint

Product overview

System type	Single glazed (offset or centrally glazed) or double glazed
Head detail	Standard aluminium head channels 54mm x 25mm or 54mm x 50mm
Base detail	Standard aluminium base channels 54mm x 25mm flush clip or 54mm x 50mm flush clip
Deflection head options	2-part internal deflection head: ±25mm - 90mm deep aluminium channel ±40mm - 135mm deep aluminium channel 2-part external deflection heads: ±25mm - 94mm deep aluminium channel ±40mm - 140mm deep aluminium channel
Door head detail	Head clip available for deflection and non-deflection glazing channel to accept door leaf
Door options	Compatible with Axile Clarity, Edge Symmetry, Edge Affinity, 44mm/54mm thick timber door
Glass thickness	Single and double glazed: Minimum thickness 10mm toughened glass, maximum thickness 12.8mm acoustic laminated glass. Thickness subject to panel width, height and acoustic rating.
Maximum screen height	Maximum ceiling height 3000mm subject to build configuration and access into building
Glass to glass joint options	Nebula®, aluminium, ghost and taped dry joints available
Acoustic rating	Single glazed: Rw33dB - 12mm toughened glass Rw38dB - 12.8mm acoustic laminated glass Double glazed: Rw41dB - 12mm toughened glass + 12.8mm acoustic laminated glass Rw46dB - 12.8mm acoustic laminated glass + 12.8mm acoustic laminated glass in multi-module screen Further test certificates available upon request



Optima

Courtyard House
West End Road
High Wycombe
Buckinghamshire
HP11 2QB

t +44 (0) 1494 492 725
www.optimasystems.com