

Shoreditch Edition Product Summary

Optima
ClearThinking

Shoreditch Edition Product Summary



Product facts

- Shoreditch aluminium glazing bars can be applied to single or double glazed Shoreditch Edition screens
- Single glazed version - Optima 117 Plus Shoreditch Edition
- Double glazed version - Revolution 54 Plus Shoreditch Edition

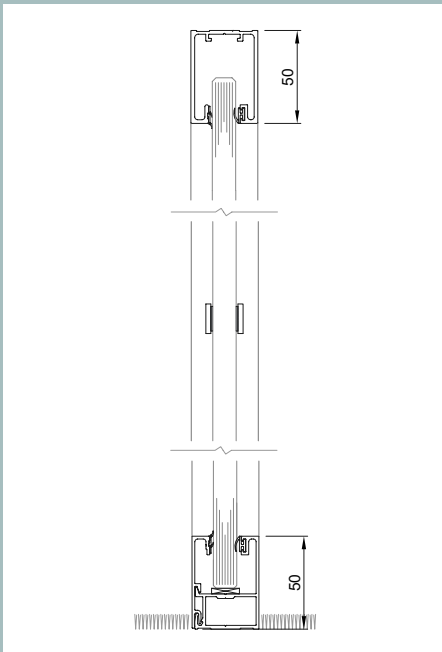
- Dry jointed and fully demountable
- Door options - Single glazed or double glazed Edge pivoting glass door, or Kinetic Align sliding glass door with Kinetic Shoreditch Edition only
- Manufactured at Optima's UK factory in Bath

Acoustics

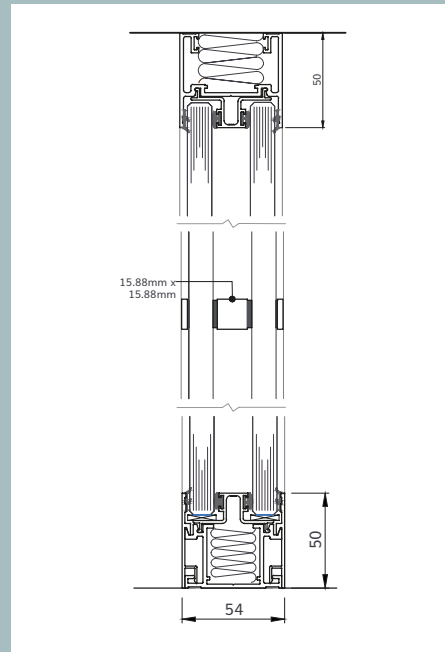
- Rw38dB for Optima 117 Plus - Shoreditch Edition, using 12.8mm acoustic laminated glass
- Rw48dB for Revolution 54 Plus - Shoreditch Edition, using 2 x 12.8mm acoustic laminated glass

Deflection

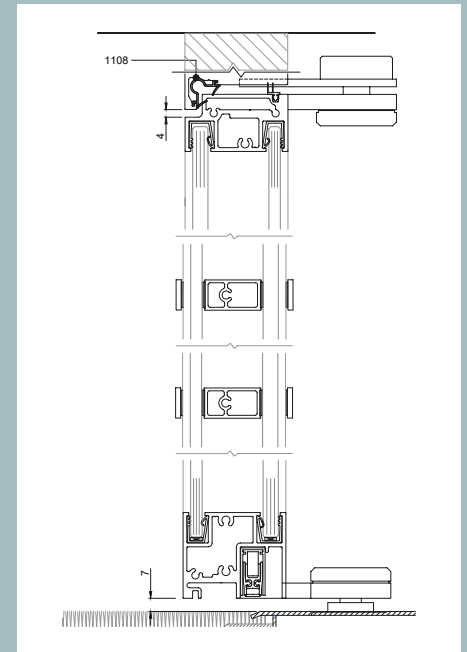
- Can accommodate up to $\pm 40\text{mm}$ deflection ($\pm 25\text{mm}$ for Kinetic Align)



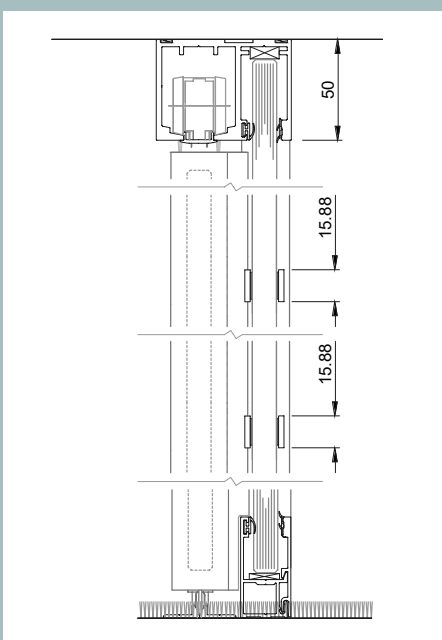
Vertical section through Optima 117 Plus single glazed Shoreditch screen



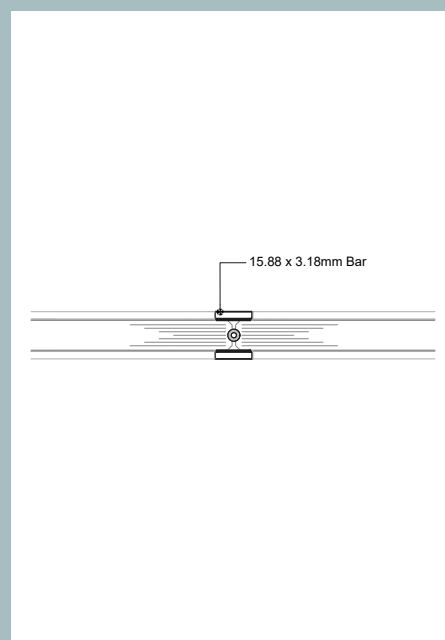
Vertical section through Revolution 54 Plus double glazed Shoreditch screen



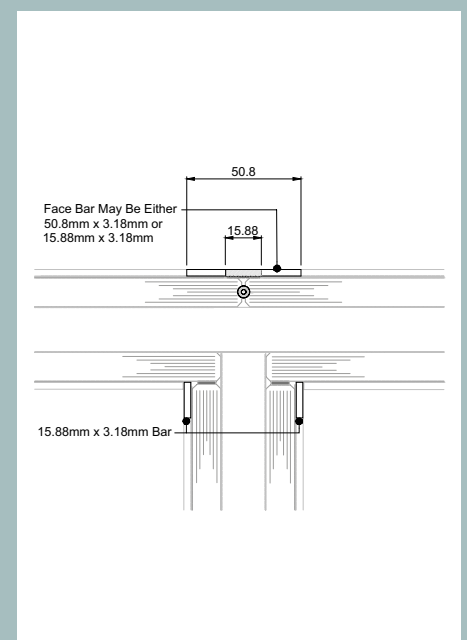
Vertical section showing double glazed Edge Symmetry door



Vertical section showing single glazed Kinetic Shoreditch glazing and Kinetic Align door



Vertical section through single glazed butt jointed glass



Vertical section through double glazed butt jointed glass

Product overview

System type	Single glazed: Optima 117 Plus Shoreditch Edition and Kinetic Shoreditch Edition Double glazed: Revolution 54 Plus Shoreditch Edition	
Head detail	Single glazed: Standard aluminium head channels available 25mm or 50mm deep (50mm only for Kinetic Shoreditch Edition) Double glazed: 25mm x 54mm or 50mm x 54mm standard aluminium head channel	
Base detail	Single glazed: Standard aluminium base channels available 25mm or 50mm deep Double glazed: 25mm x 54mm or 50mm x 54mm standard aluminium base channel	
Deflection head options	Single glazed and double glazed 2-part internal deflection heads: ±25mm - 90mm deep aluminium channel ±40mm - 135mm deep aluminium channel	Single glazed and double glazed 2-part external deflection heads: ±25mm - 94mm deep aluminium channel ±40mm - 140mm deep aluminium channel Note: ±25mm only for Kinetic Shoreditch Edition
Door options	Edge Symmetry or Affinity single or double glazed framed door Kinetic Align sliding glass door (Kinetic Shoreditch Edition only)	
Glass thickness	Single glazed: 10mm, 10.8mm, 12mm, 12.8mm and 16.8mm thick glass available as standard, subject to panel width, height and acoustic rating. Double glazed: Minimum thickness 10mm toughened glass, maximum thickness 12.8mm acoustic laminated glass. Thickness subject to panel width, height and acoustic rating.	
Maximum screen height	Single glazed: Maximum ceiling height 3000mm subject to build configuration and access into building using 12.8mm acoustic laminated glass. Greater heights up to 4m can be achieved with 16.8mm laminated glass. Please speak to our Technical Team. Double glazed: Maximum ceiling height 3000mm subject to build configuration and access into building.	
Acoustic rating	Single glazed: Rw33dB - 12mm toughened glass Rw38dB - 12.8mm acoustic laminated glass Rw40dB - 16.8mm acoustic laminated glass Double glazed: Rw41dB - 12mm toughened glass + 12.8mm acoustic laminated glass Rw48dB - Two layers of 12.8mm acoustic laminated glass Doors: Rw35dB - single glazed Edge Symmetry Rw41dB - double glazed Edge Symmetry Rw39dB - single glazed Edge Affinity Rw42dB - double glazed Edge Affinity Rw36dB - Kinetic Align	



Optima

Courtyard House
West End Road
High Wycombe
Buckinghamshire
HP11 2QB

t +44 (0) 1494 492 725
www.optimasystems.com